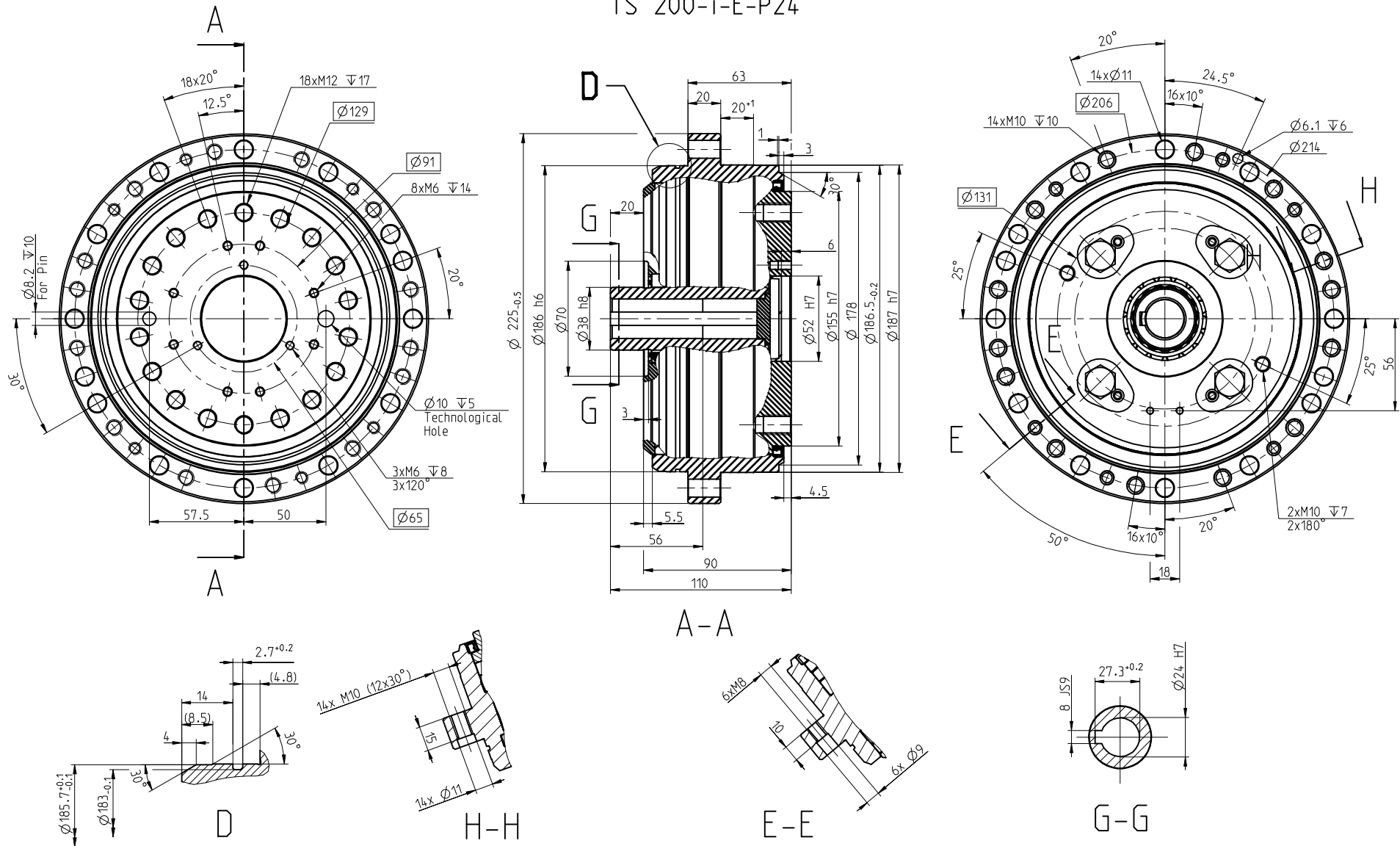


TS 200-i-E-P24



1. Use only standardized components such as O-ring seal, bolts, washers, etc.
2. Right to change without prior notice reserved.