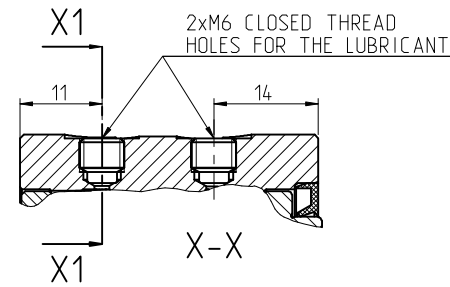
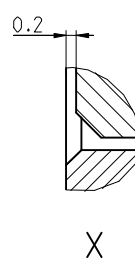
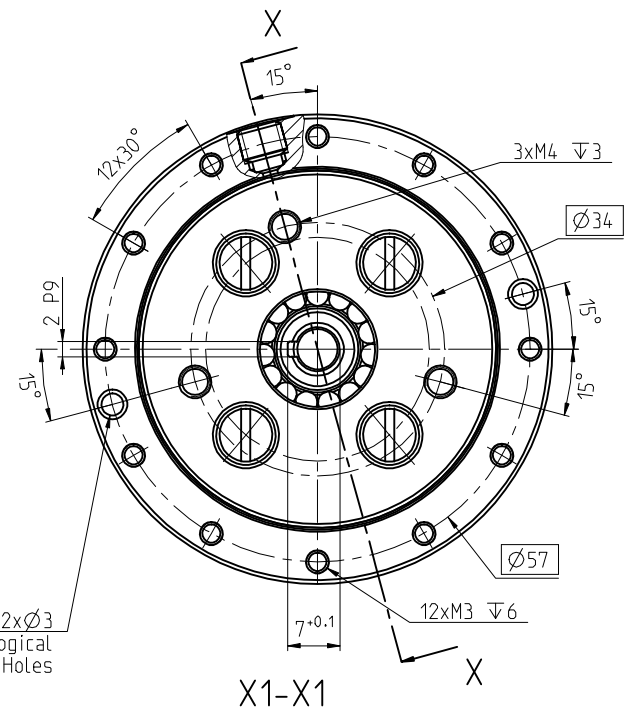
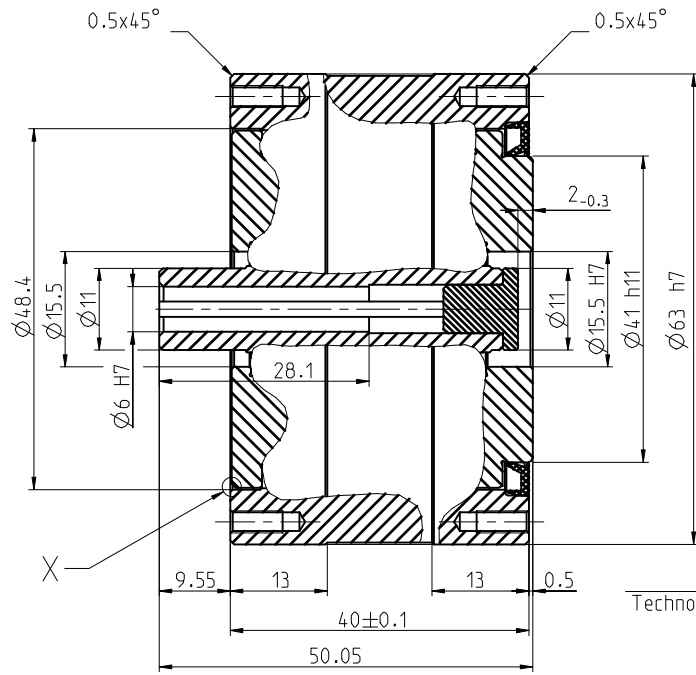


TS 60-i-TB-P6



1. Use only standardized components such as O - ring seal, bolts, washers, etc.
2. Right to change without prior notice reserved.